

# INSPECTION FORM: SELF-RETRACTING LIFELINE



## OSHA 1926.502(d)(21)

Personal fall arrest systems SHALL be inspected prior to each use for wear, damage, and other deterioration, and defective components SHALL be removed from service.



## 6.1 Inspection

6.1.1 Equipment SHALL be inspected by the user before each use and, additionally, by a competent person other than the user at intervals of no more than one year.

### WHAT IS THE FREQUENCY OF INSPECTION IN THE FOLLOWING CATEGORIES?

General Industry: \_\_\_\_\_

Construction: \_\_\_\_\_

Your Organization: \_\_\_\_\_

Manufacturer: \_\_\_\_\_

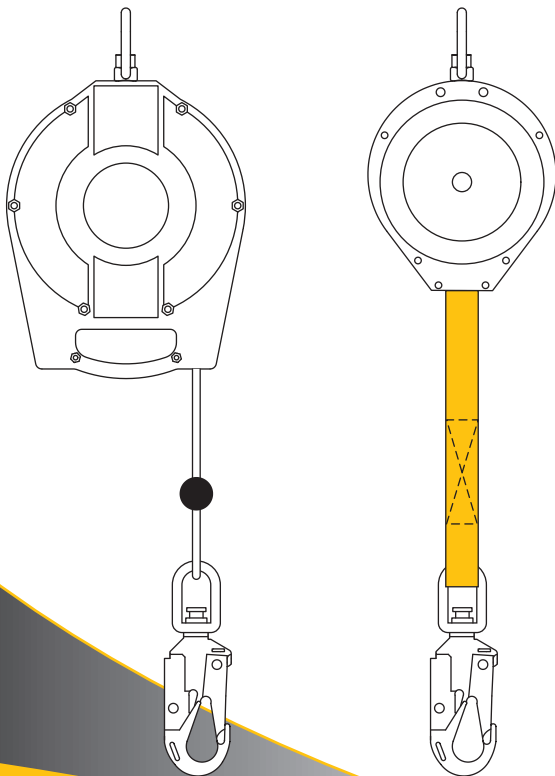
MANUFACTURER OF EQUIPMENT: \_\_\_\_\_

NAME OF COMPETENT PERSON: \_\_\_\_\_

NAME OF USER (AUTHORIZED PERSON): \_\_\_\_\_

DATE OF INSPECTION: \_\_\_\_\_ REMOVE FROM SERVICE WHEN? \_\_\_\_\_

Date: \_\_\_/\_\_\_/\_\_\_ Date: \_\_\_/\_\_\_/\_\_\_



### LOOK AT:

- 1 Hardware
- 2 Webbing
- 3 Stitching
- 4 Labels / Tags

### LOOK FOR:

1 HARDWARE	✓	✗
Rust/corrosion		
Deformed/bent		
Burs/cracks		
Weld spots/slag		
Missing rivets		
Springs		
Functionality		
Other		

2 WEBBING	✓	✗
Cuts/burns/holes		
Excessive wear		
Excessive UV damage		
Chemical attack		
Writing on the webbing		
Other		

3 STITCHING	✓	✗
Missing		
Loose		
Broken		
Other		

4 LABELS / TAGS	✓	✗
Missing		
Illegible		
Dates		
Other		